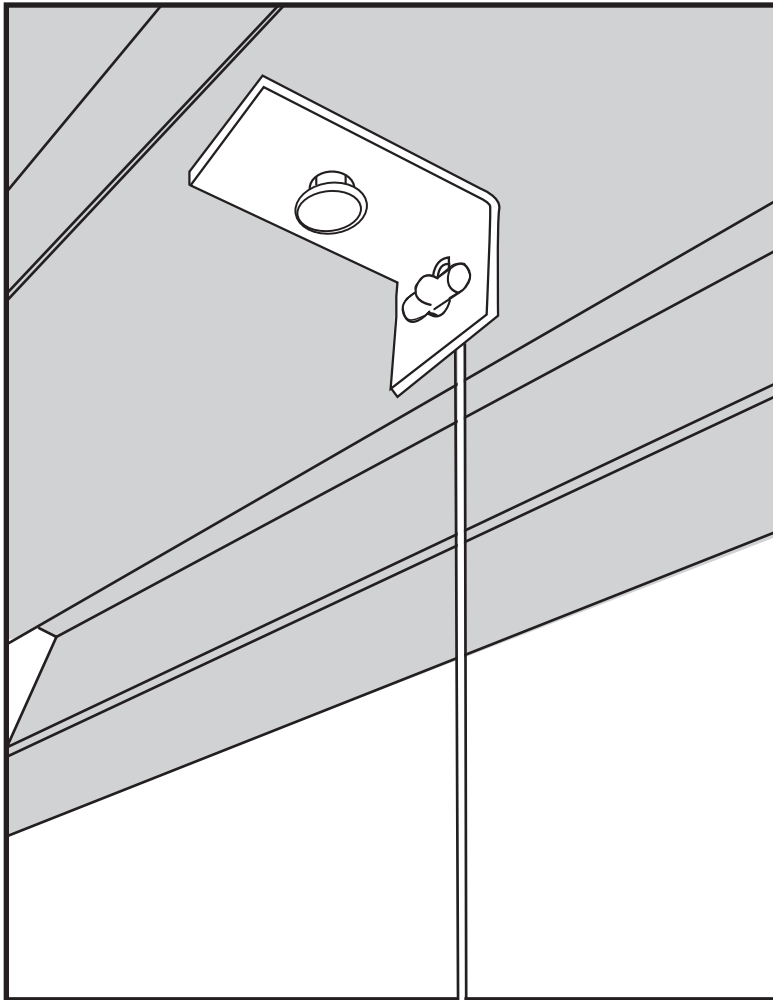


# DH Ceiling Wire Attachment System

## DH Angle Clip



### Code Compliant

*See ICC ER-5367, California DSA IR A-5 Sec. 1.3.1 and direct comparison tests.*

### Safe

*Unique geometry prevents shake out or pull through.*

### Simple

*Easy to use.*

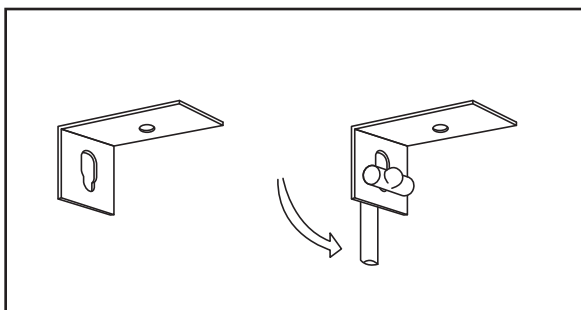
### Economic

*If installation fails, (fish hook) wire is reusable.*

### Versatile

*Same wire works with many fasteners.*

- Requires **LESS STORAGE** space.
- In hard concrete generates **LESS WASTE**. (Wires can be reused.)
- LESS DAMAGE** in storage and in transit.



**APPLICATIONS: POURED CONCRETE CEILINGS**



# Data Summary

**Table 2 -Wire System Comparison \*  
Convention Wrapped Wire (HW\*\*) vs. DH**

Wire Attachment System	Fastener Type	0° (tension)	45° Side Pull	45° Back Pull
HW	I LAG SCREW	612	621	-
<b>DH</b>	<b>I LAG SCREW</b>	<b>628</b>	<b>624</b>	<b>606</b>
HW	90° Clip	574	580	-
<b>DH</b>	<b>90° Clip</b>	<b>663</b>	<b>598</b>	<b>564</b>
HW	45° Clip	629	-	-
<b>DH</b>	<b>45° Clip</b>	<b>663</b>	<b>-</b>	<b>644</b>

\*Table compiled from SGS Report 117417-01  
Copy available upon request.

\*\* HW = Hospital Wrap-3 tight turns (min.) on 1 1/2" per California DSA IR 25-2

### Findings from ICC Report ER-5367 at [www.icc-es.org](http://www.icc-es.org):

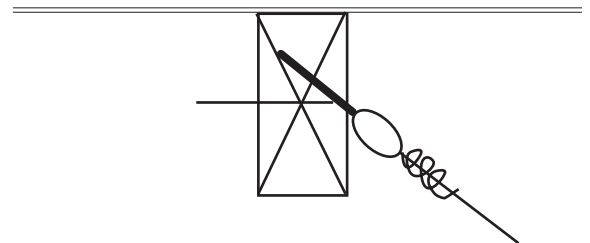
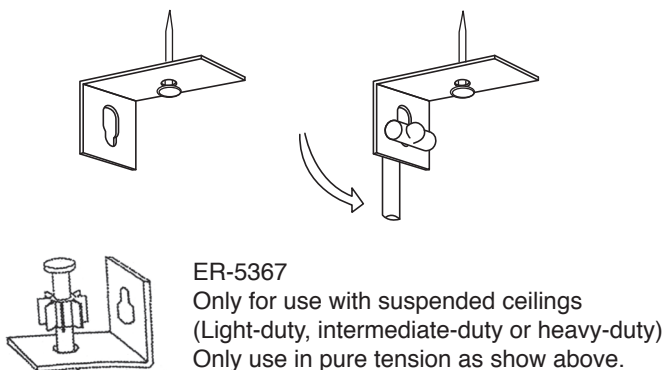
The I-LAG brand eye lag screws and wire system described in this report **COMPLY WITH THE 1997 UNIFORM BUILDING CODE™**. Description of DH angle clip and wire attachment system is from ICC ER-5367.

DESCRIPTION: The ceiling wire system consists of DH ceiling wire and DH angle clips or DH I-LAG screw fasteners shown in Figure 1. The DH wire has a "T" head on the end of the wire and is made of No. 12 gauge [0.1046 inch (2.66 mm)] wire complying with ASTM A 641. The DH angle clips are 90-degree-angle clips measuring 0.07 inch (1.9 mm) thick, 0.75 inch (19.1 mm) wide, 0.65 inch (16.5 mm) long in the short side and 1.25 inch (31.74 mm) long in the longer side. The short side has a 0.217-inch (5.5 mm) diameter and a pre-drilled hole in the middle for fastening to the framing system, and the longer side has a slotted hole that is 0.37 inch long by 0.17 inch wide (9.40 mm by 4.31 mm) at the bottom and 0.105 inch wide (2.67 mm) at the top of the slot for use with the DH ceiling wire.

\* DH angle clip: Anchors used to fasten DH angle clip to the ceiling should have an ICC report on file. Anchors would include self drilling screws, wood screws, and powder actuated pins. See ICC 1530.

**DH Angle Clip:** (Fig. 1)

**Hospital Wrap:** (Fig. 2)



DISTRIBUTED BY DOC'S MARKETING. PATENT PENDING.

For technical questions email: [forrest@docsmarketing.com](mailto:forrest@docsmarketing.com) or call (800) 544-8706